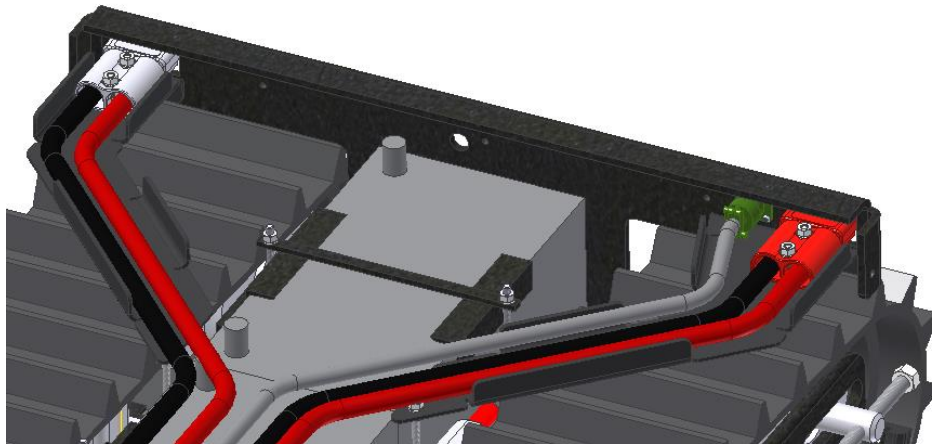
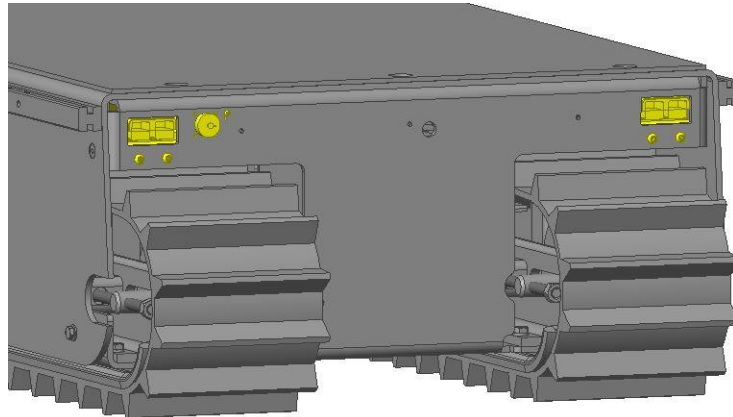


ACCESSORIES ELECTRIC

QUICK CONNECT

TECHNICAL SPECIFICATIONS



PHYSICAL CHARACTERISTICS

Matériel Aluminium

ELECTRICAL CHARACTERISTICS

| | |
|---------------------|--------------------------------------|
| Entrée (batteries) | 24 VDC (Grey Anderson connector) |
| Sortie (accessoire) | - 24 VDC (Red Anderson connector) |
| | - Control (Green circular connector) |

COMPATIBLE WITH :

- Track-0 75
- Twin-Track 47
- Twin-Track 66
- Heavy-Duty