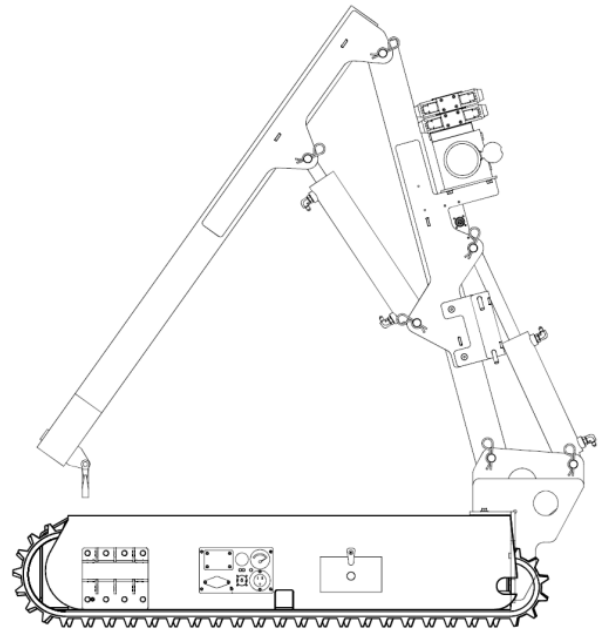
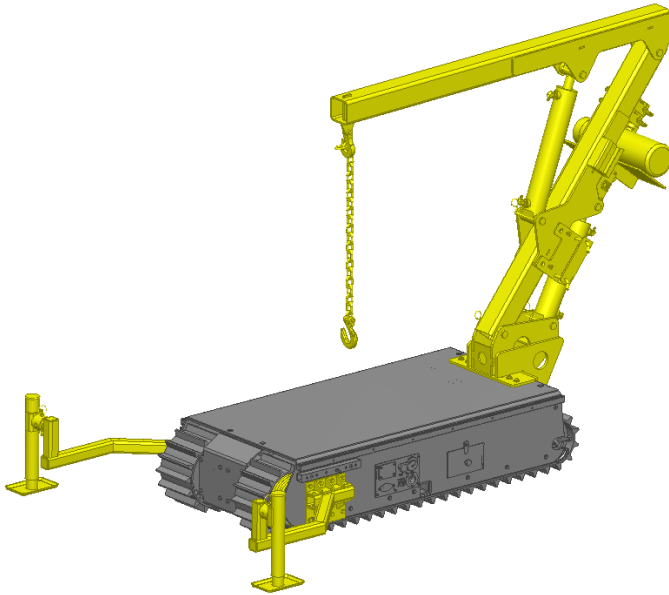


# JIB CRANE - CAPACITY 1000 LB

## TECHNICAL SPECIFICATIONS



Storage position

### PHYSICAL CHARACTERISTICS

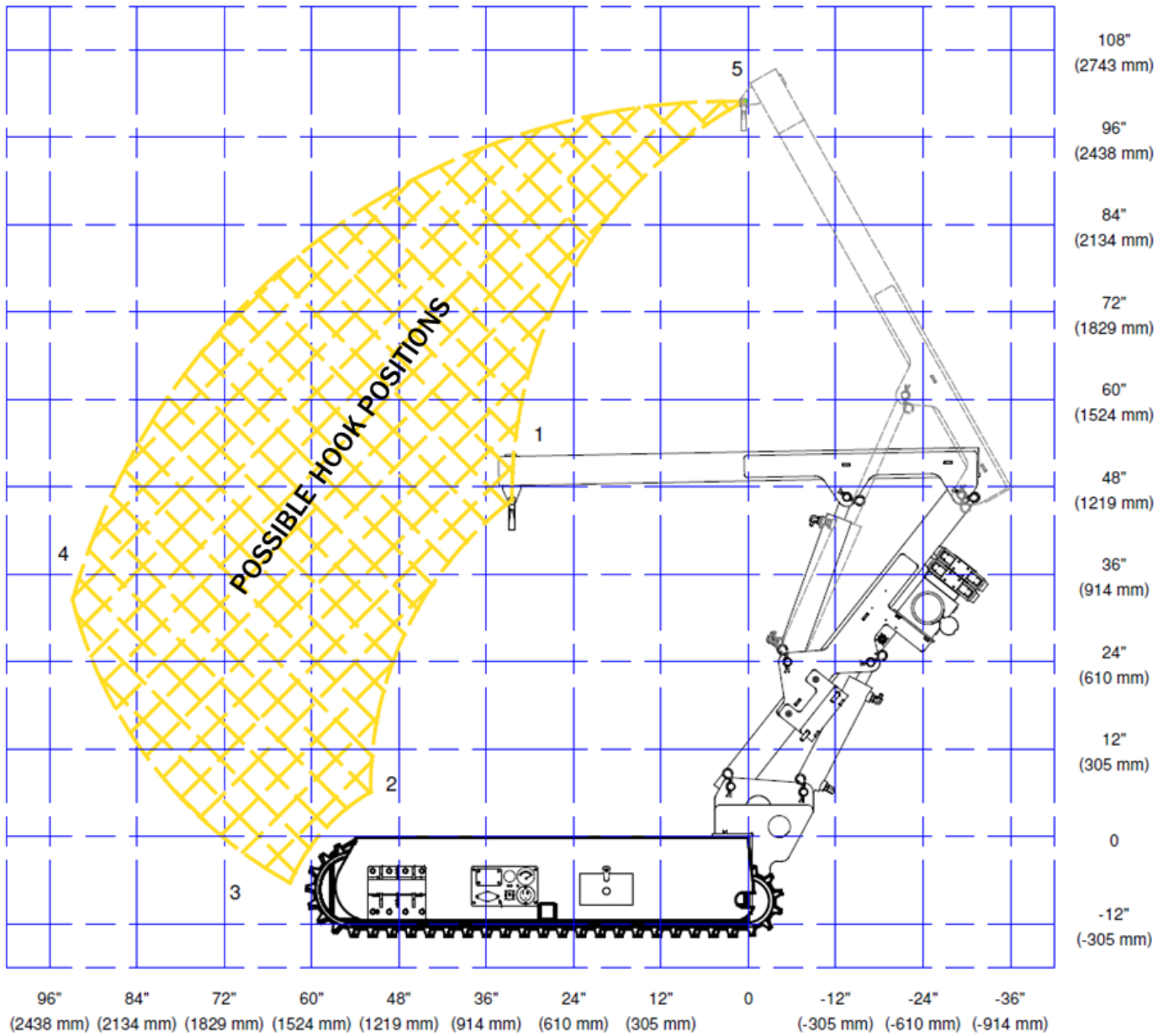
Material	Steel	
Distance of the stabilizers* In front of the Track-O	15 "	381 mm
Width without stabilizers*	31 1/2 "	800 mm
Width with stabilizers*	73 1/4 "	1861 mm
Distance between stabilizers*	49 1/4 "	1251 mm
Height [storage]*	75 1/2 "	1918 mm
Weight	622 lb	283 kg
Lifting capacity	1000 lb	454 kg
Load bearing cap. [transport]* (flat surface)	1000 lb	454 kg
Load bearing cap. [transport]* (inclined surface)	400 lb	182 kg
Max. inclination [transport]*	30°	
Stabilizer (2x)	Removable (jack screw type)	
Control	Wired	

### COMPATIBLE WITH :

- Twin-Track 66
- Heavy-Duty
- Cross-Country

\* These specifications have been tested with a Twin-Track 66 model. Contact your dealer to know the specifications of this accessory when it is used with other Track-O models.

*The information contained in this document is subject to change without notice.*



POSITION	REACH	HEIGHT
1	32 1/2 "      826 mm	46 1/4 "      1175 mm
2	51 7/8 "      1318 mm	6 1/8 "      156 mm
3	63 "      1600 mm	-6 1/4 "      -159 mm
4	92 7/8 "      2359 mm	32 1/2 "      826 mm
5	5/8 "      16 mm	100 7/8 "      2562 mm