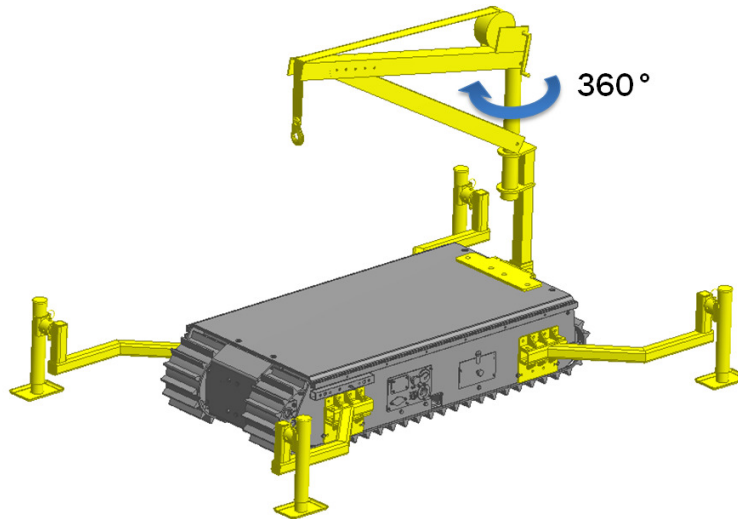


# PORTABLE JIB CRANE 36"

## 500 LB CAPACITY

### TECHNICAL SPECIFICATIONS



#### PHYSICAL CHARACTERISTICS

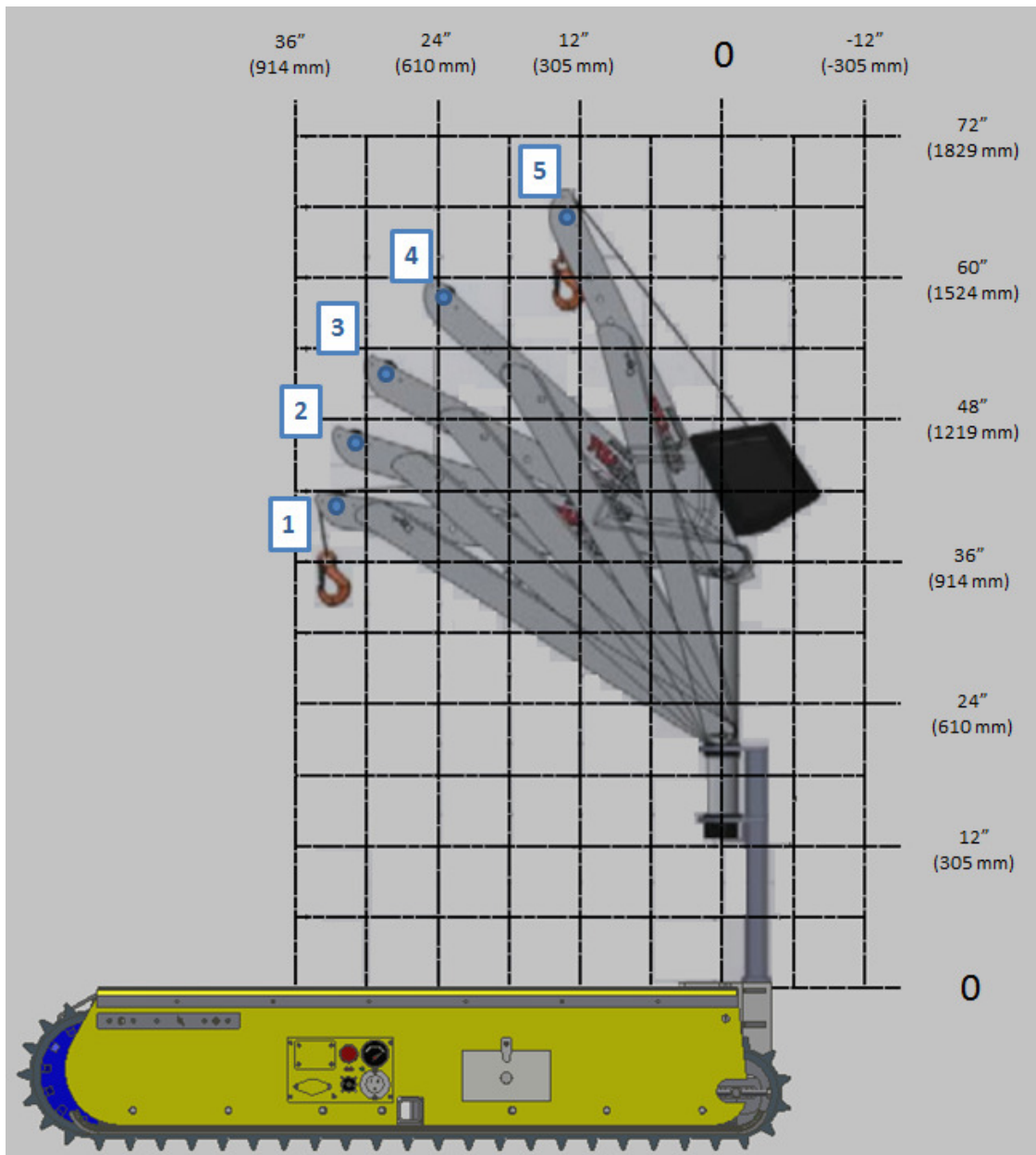
Material	Aluminum and steel	
Length with stabilizers*	93 3/4 "	2381 mm
Width with stabilizers*	73 1/4 "	1861 mm
Width without stabilizers*	31 1/2 "	800 mm
Distance between stabilizers*	49 1/4 "	1251 mm
Weight (jib crane only)	35 lb	16 kg
Weight (support and stabilizers)*	260 lb	118 kg
Lifting capacity	500 lb	227 kg
Jib crane rotation	360°	
Stabilizers (x4)	Removable (jack screw type)	
Hoist	- Manual - Electric (option)	

#### COMPATIBLE WITH :

- Track-O 75
- Twin-Track 47
- Twin-Track 66
- Heavy Duty
- Cross-Country

\* These specifications have been tested with a Twin-Track 66 model. Contact your dealer to know the specifications of this accessory when it is used with other Track-O models.

*The information contained in this document is subject to change without notice.*



POSITION	REACH		HEIGHT	
1	32 3/8 "	822 mm	40 3/4 "	1035 mm
2	31 "	787 mm	46 1/8 "	1172 mm
3	28 3/8 "	721 mm	51 7/8 "	1318 mm
4	23 3/8 "	594 mm	58 1/4 "	1480 mm
5	12 7/8 "	327 mm	65 1/2 "	1664 mm